

SG IRON 'Y' TYPE STRAINERS

PN25 - THREADED ENDS



DYNAFLUID DY4 STRAINERS

S. G. Iron bodied 'Y' type strainer suitable for water, steam and oil. The strainer offers cost effective protection to mechanical equipment such as pumps, meters, traps and valves from the potential hazards of pipeline debris. Installation of a strainer before any mechanical equipment will ensure trouble-free service and avoid costly shut-downs, repairs or replacements so often caused by the introduction of foreign matter in pipe lines.

SIZE RANGE

mm	15	20	25	40	50	65	80
ins	1/2	3/4	1	1 1/2	2	2 1/2	3

PIPE CONNECTIONS

Female Inlet x Female Outlet.

Standard strainers are threaded BS21:1985 Taper, NPT available on request.

PRESSURE/TEMPERATURE RATING

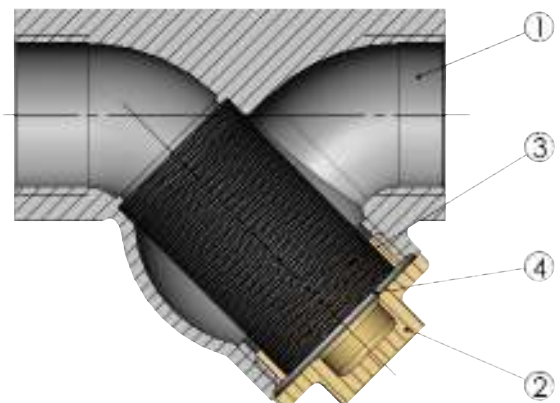
PN25 (Cold Non-shock 25 bar)
Steam 13.8 bar at 191°C

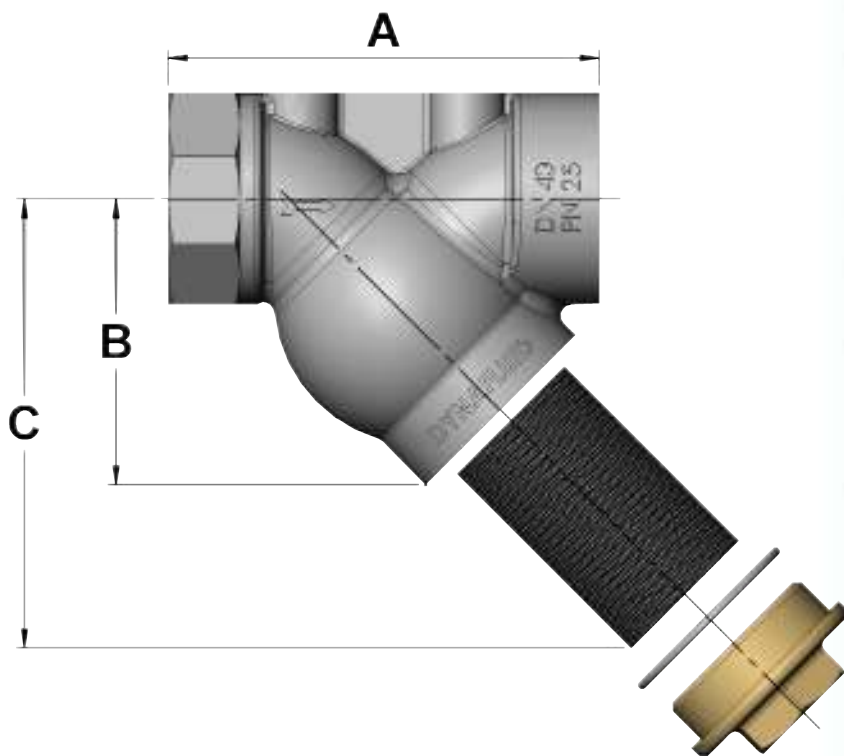
TEST PRESSURE HYDRAULIC

Shell 48 bar

MATERIAL SPECIFICATION

Item	Component	Material
1	Body	SG Iron BS EN 1563 EN-GJS-420-12
2	Cap	Cu Alloy BS EN 1982 CC491K
3	Screen	Stainless Steel BS 304
4	'O' Ring	Viton





STRAINER SCREEN

½" to 2" fitted as standard with 20 mesh (0.9mm aperture) screen, 50% free flow area.

2½ - 3" fitted as standard with 12 mesh (1.6mm aperture) screen.

Wide range of alternative meshes/apertures available on request.

REPAIRS AND MAINTENANCE

All strainers should be regularly checked for damage and maintained according to the installation and maintenance instructions. Full range of spare parts including replacement screens available on request.

DIMENSIONS & WEIGHTS

Size	15	20	25	32	40	50	65	80
A	67	74	92	106	114	147	226	226
B	39	46	55	55	76	99	150	150
C	61	73	88	102	119	153	230	230
Wt Kg	0.3	0.4	0.6	1.2	1.4	2	9.5	9.5

EXTRA FITTINGS AVAILABLE

Pressure tapping differential points on ½" to 2".

Magnetic plugs on all sizes.

GUARANTEE

All strainers are tested prior to despatch and are guaranteed for 12 months against faulty materials and workmanship.

Whatever your hot water requirements, we've the innovative answer. Steam and water mixers plus a full washdown range including waterguns and lances, self-retracting hoses, hot-and-cold water mixing valves, couplings and detergent dosers. There are stainless steel options for the ultimate in hygiene. Everything for both high and low pressure applications.

The core of our range is the Dynafluid 2000 steam and water mixing valve. This product has built a solid international reputation for leadership over a 40-year history and a programme of continued improvement will ensure that this leadership is maintained.

From a single component to a full washdown system - talk to Dynafluid.



Cert. No. LRQ 0910407

Dynafluid Limited

Halesfield 21, Telford, TF7 4NX, UK

Tel: +44 (0)1952 580946

Fax: +44 (0)1952 582546

Email: sales@dynafluid.com

www.dynafluid.com



Dynafluid is a registered trademark of Dynafluid Limited. Dynafluid are precision engineers within the WSM Group. Specifications are subject to review and improvement. Data in this publication is for information only, and does not form part of any contract.